

F900 SERIES



G9781 Boiling Pan

Spares Information



G9881-Spares-0516

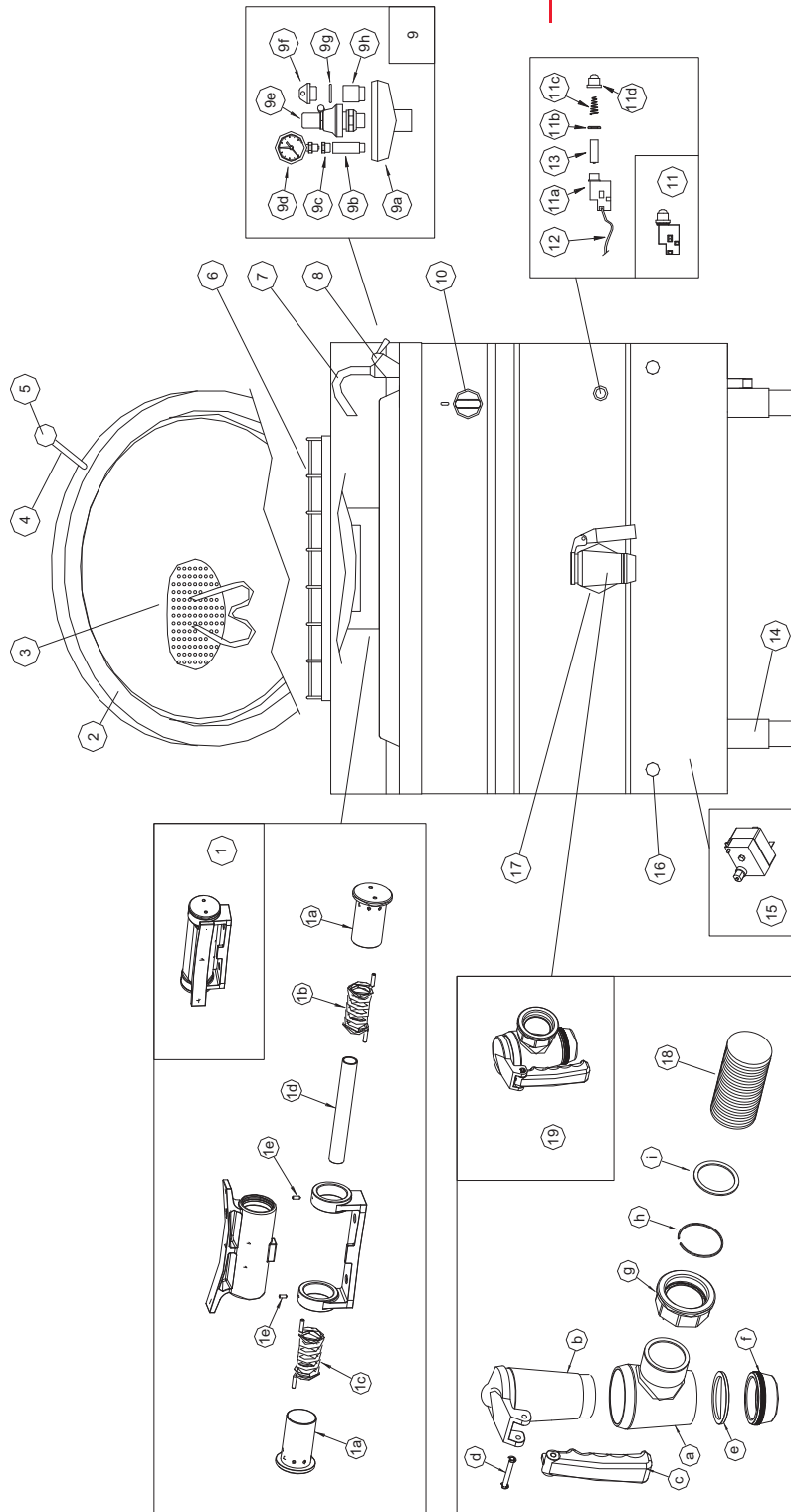
**Falcon Foodservice Equipment**

Wallace View, Hillfoots Road, Stirling FK9 5PY t: +44 (0) 1786 455 200 f: 08000 275 595  
info@falconfoodservice.com [www.falconfoodservice.com](http://www.falconfoodservice.com)

# F900 SERIES

## G9781 Boiling Pan

### Fitments and Controls



## Fitments and Controls

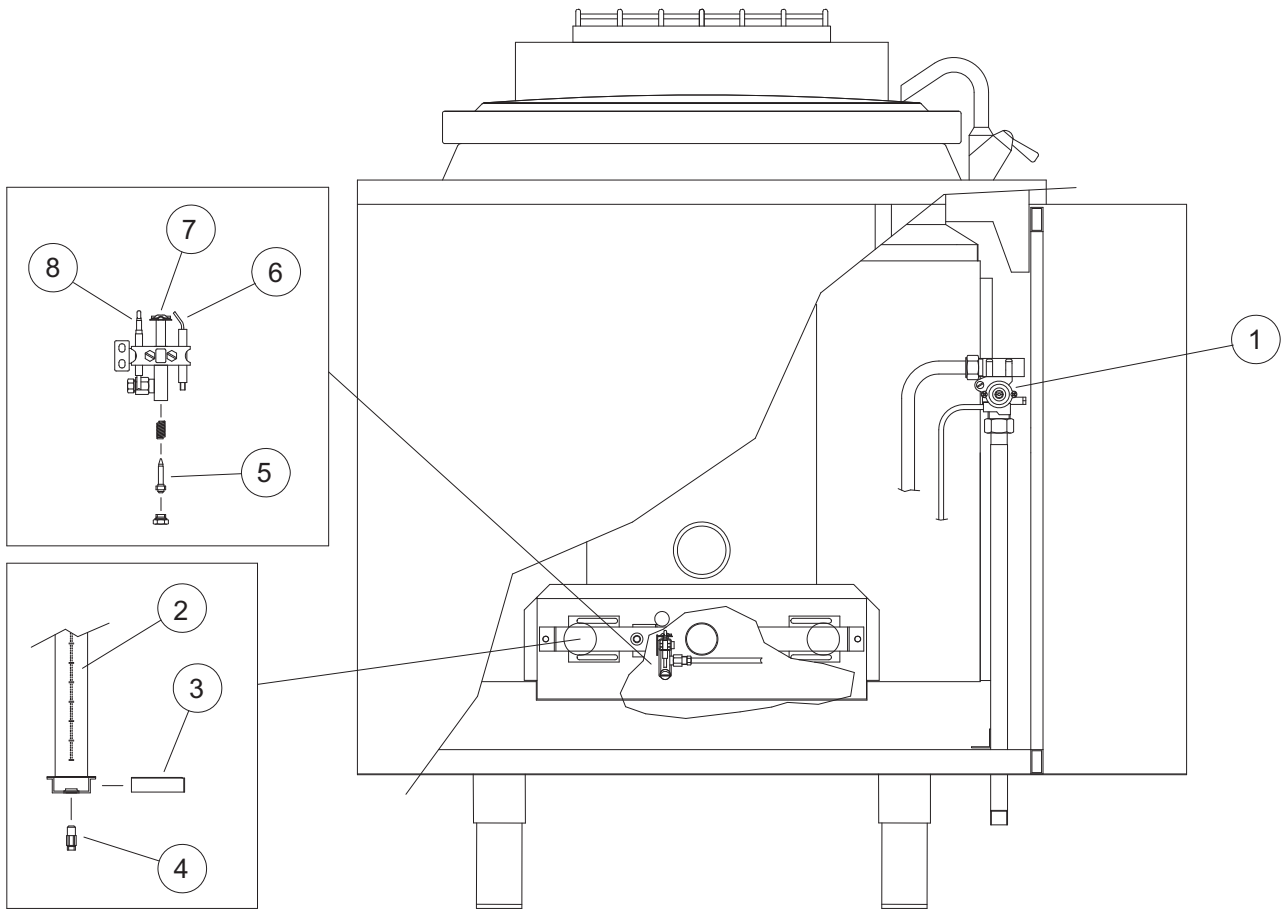


Item	Description	Spares No.	Part No.
1.	Hinge 320	F900-20300096	20300096
1a.	Hinge pivot 20300096	F900-20300097	20300097
1b.	Spring DX d.4	F900-20500052	20500052
1c.	Spring SX d.4	F900-20500054	20500054
1d.	Tube for hinge	F900-50400062	50400062 L=225
1e.	Grain inox M6	F900-A99-05	A99-05
2.	Lid	F900-SMP0123-00	SMP0123-00
3.	Kettle filter	F900-30700122	30700122
4.	Handle extension	F900-20200014	20200014
5.	Cover handle	F900-20200013	20200013
6.	Flue capper		
7.	Water faucet	F900-30200072	30200072
8.	Mixer tap - 1 hole connection		
9.	Pressure gauge assembly	F900-GRP14-0002	GRP14-0002
9a.	Tube socket	F900-30300062	30300062
9b.	3/8" extension	F900-10400058	10400058
9c.	Reducer 3/8"M - 1/4"F	F900-10400052	10400052
9d.	Gauge display	F900-30300022	30300022
9e.	Safety valve 0.5bar	F900-30300014	30300014
9f.	3/4" plug	F900-10400061	10400061
9g.	O-ring 28	F900-10500110	10500110
9h.	3/4" extension	F900-10400059	10400059
10.	Control knob		
11.	Piezo igniter	F900-40100130	40100130
14.	Adjustable leg (stainless steel)		
15.	Safety thermostat	F900-40100141	40100041
16.	Bottom panel eyelet	F900-30200050	30200050
17.	Tap boss	F900-10200002	10200002
18.	Drain valve pipe	F900-10400006	10400006
19.	Drain valve assembly	F900-30200198	30200198
a.	Valve body		
b.	Conical valve insert - M		
c.	Drain valve handle	F900-30200182	30200182
d.	Fixing pin for drain valve	F900-30200184	30200184
e.	Washer for drain valve		
f.	Ring for drain valve		
g.	Nut for drain valve		
h.	Ring for drain valve nut		
i.	Teflon washer	F900-10500060	10500060

# F900 SERIES

## G9781 Boiling Pan

### Controls





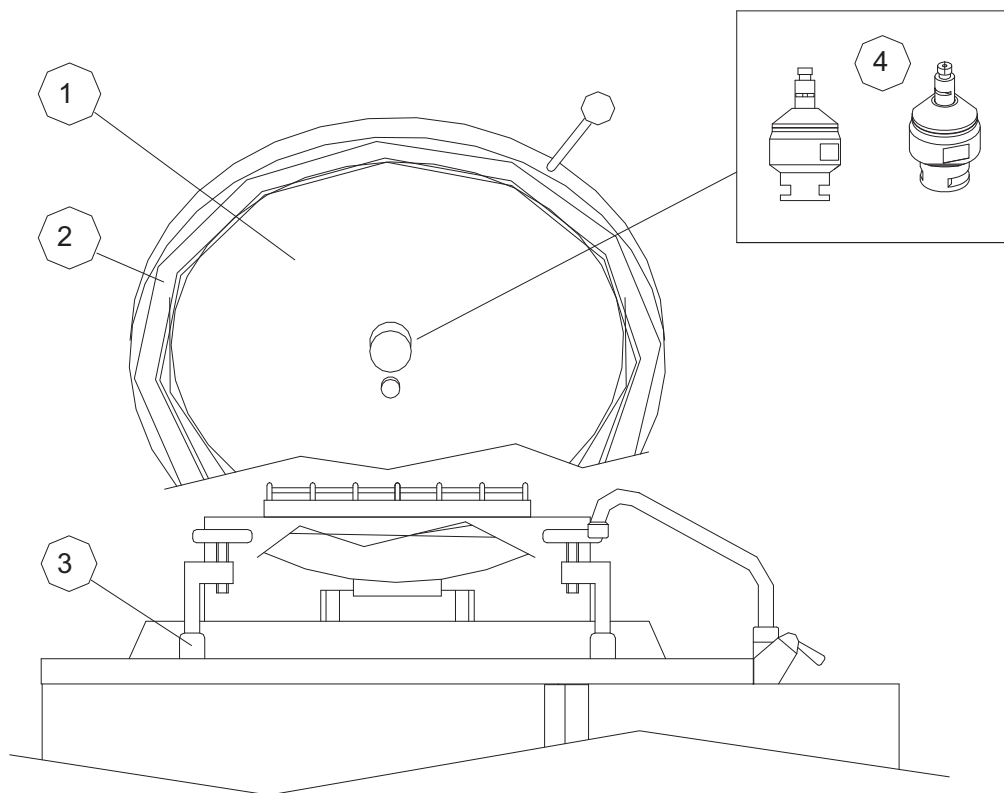
## Controls

Item	Description	Spares No.	Part No.
1.	Gas control	F900-30100003	30100003
2.	Burner	F900-30400050	30400050
3.	Air regulator	F900-SC1404-00	SC1404-00
4.	Burner injector (natural gas)	F900-30500024	30500024
4.	Burner injector (propane/butane gas)	F900-30500020	30500020
5.	Pilot injector (natural gas)	F900-30500003	30500003
6.	Pilot injector (propane/butane gas)	F900-30500005	30500005
7.	Pilot D6	F900-30100005	30100005
8.	Thermocouple	F900-40400100	40400100

# F900 SERIES

## G9781 Boiling Pan

### Lid Fitments





## Lid Fitments

Item	Description	Spares No.	Part No.
1.	Autoclave lid	F900-SMP0126-00	SMP0126-00
2.	Gasket for autoclave lid	F900-10600290	10600290
3.	Lock clamp	F900-20300093	20300093
4.	Safety valve	F900-30300026	30300026